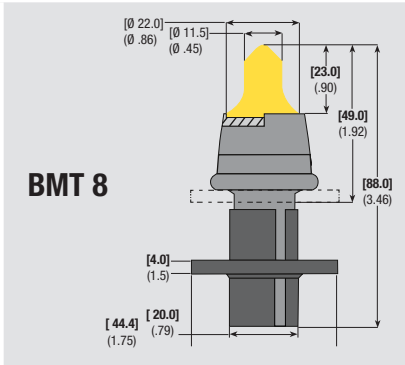
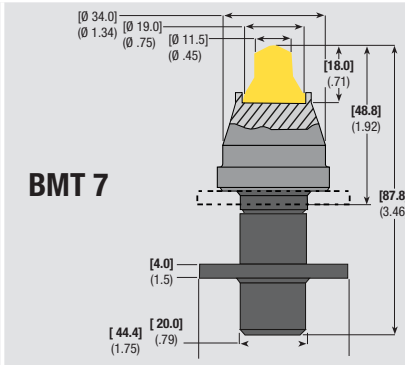
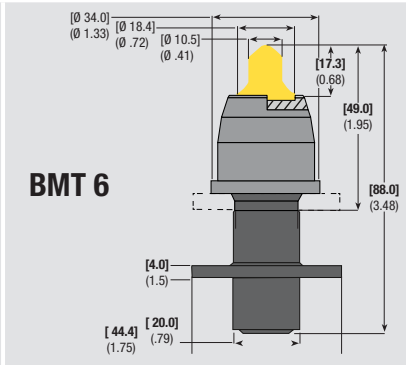
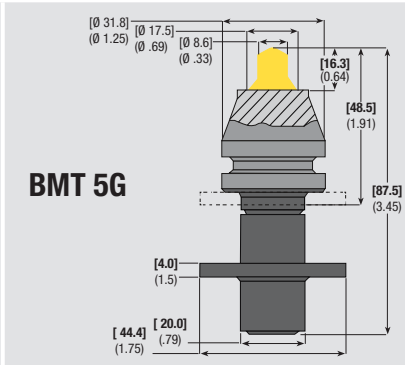
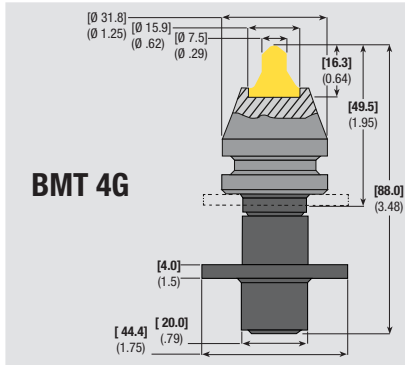
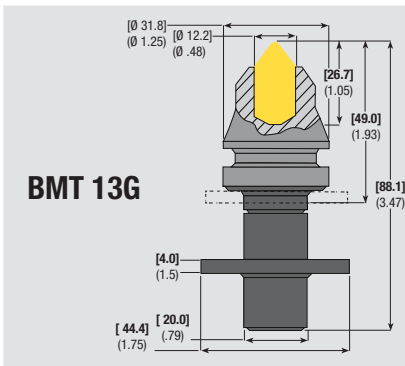
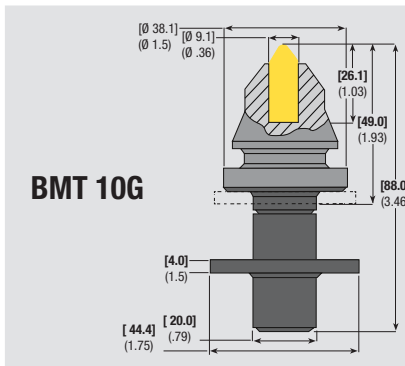


# CUTTING TOOLS FOR COMPACT AND HEAVY MILLING MACHINES.



ROAD MILLING TOOLS FOR ASPHALT	Type	P/N Box (50 pcs.)	P/N Pallet (3.200 pcs.)	Comparable Wirtgen Pick	BM 500 / BM 600		BM 1000/30 / BM 1000/35		BM 2000/60 / BM 2000/75	
					Soft asphalt	Hard asphalt	Soft asphalt	Hard asphalt	Soft asphalt	Hard asphalt
	<b>BMT 4G</b>	30026204C50	30026204C3200	W4-G/20	■					
	<b>BMT 5G</b>	30026205C50	30026205C3200	W5-G/20		■	■			
	<b>BMT 6</b>	30026206C50	30026206C3200	W6/20				■	■	
	<b>BMT 7</b>	30026207C50	30026207C3200	W6L/20						■
	<b>BMT 8</b>	30026208C50	30026208C3200	W8/20					■	



ROAD MILLING TOOLS FOR CONCRETE	Type	P/N Box (50 pcs.)	P/N Pallet (3.200 pcs.)	Comparable Wirtgen Pick	BM 500 / BM 600	BM 1000/30 / BM 1000/35	BM 2000/60 / BM 2000/75
	<b>BMT 10G</b>	30026210C50	30026210C3200	W1-10-G/20	■		
	<b>BMT 13G</b>	30026213C50	30026213C3200	W1-13-G/20		■	■