



**BOMAG**  
FAYAT GROUP

## Vibratory Tamper BT60/4 BT65/4



*Easy service: hour and rpm meter with integrated service indicator.*



*All around engine protection.*

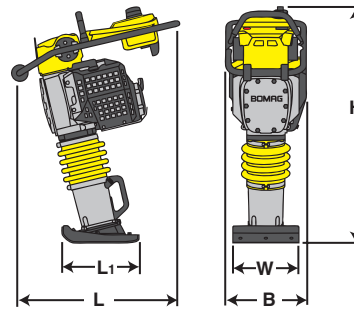


*Dual air filter system helps extend the life of the engine.*



# Technical Specifications

## BT60/4 BT65/4



### Shipping dimensions in cubic feet (m<sup>3</sup>)

BT60/4	19.3	(0.547)
BT65/4	19.3	(0.547)



### Standard Equipment

- Reliable Honda 4-stroke engine
- Meets EPA 2013 requirements
- Engine protection covers and guards
- Splash oil lubrication
- Acceleration pump
- Hour / Tachometer with integrated service indicator
- Corrosion-free plastic fuel tank
- Polyethylene shoe with steel wear plate
- Centrifugal clutch
- Infinitely variable frequency
- Anti-vibration handle
- On-off switch with combined engine shut down and fuel shut off
- Dual self cleaning air filter system
- Dual fuel filter system
- Diaphragm carburetor
- Recoil starter with integral guard
- Ergonomic handle, height adjustable

### Optional Equipment

- Transport wheels
- Interchangeable Shoe Kits  
6", 9", 11", 13"
- 15" Tall Tamper Foot Extension Kits  
4" or 6" shoe widths
- Service kit

### Dimensions

	B	H	L	L <sub>1</sub>	W
BT60/4	13.8 (350)	37.8 (960)	28.9 (735)	13.2 (335)	11.0 (280)
BT65/4	13.8 (350)	39.4 (1000)	28.9 (735)	13.2 (335)	11.0 (280)

### Technical data

	BOMAG BT60/4	BOMAG BT65/4
<b>Weights</b>		
Basic weight	134 (61) lbs (kg)	148 (67) lbs (kg)
Operating weight	137 (62) lbs (kg)	150 (68) lbs (kg)

### Driving characteristics (depending on site conditions)

	BOMAG BT60/4	BOMAG BT65/4
Working speed max	66 (20) ft/min (m/min)	66 (20) ft/min (m/min)

### Drive

	BOMAG BT60/4	BOMAG BT65/4
Engine manufacturer	Honda	Honda
Type	GX 100 (4-cycle)	GX 100 (4-cycle)
Cooling	air	air
Number of cylinders	1	1
Performance ISO 9249	3.4 (2.5) hp (kW)	3.4 (2.5) hp (kW)
Speed	4200	4200
Fuel	gasoline	gasoline
Fuel consumption max.	0.2 (0.8) gal/h (l/h)	0.2 (0.8) gal/h (l/h)
Starting device	recoil	recoil

### Vibratory System

	BOMAG BT60/4	BOMAG BT65/4
Drive system	mechanical	mechanical
Frequency	600-708 (10-11.8) bpm (Hz)	600-708 (10-11.8) bpm (Hz)
Jumping height	2.4 in (mm)	(60) 2.8 (70) in (mm)
Impact force	3035 (13.5) lbs (kN)	3642 (16.2) lbs (kN)

### Capacities

	BOMAG BT60/4	BOMAG BT65/4
Fuel	0.8 (3) gal (l)	0.8 (3) gal (l)

Technical modifications reserved. Machine may be shown with options.



Easy rolling with optional transport wheels



Easy to load and unload



Combined engine shut down and fuel shut off